

restart

UNI



SitLand®

# THE CLASSIC FOR EVERY OCCASION

Uni responds to the needs of waiting and meeting areas, simply matching the classic design touch to comfort.



## ESSENTIAL DESIGN

Uni is the guest chair characterised by minimal and elegant design that can be adapted to any space. The sled frame in high-resistance steel tube with armrests integrated to the structure supports the comfortable padded seat and the upholstered back in injected polypropylene.

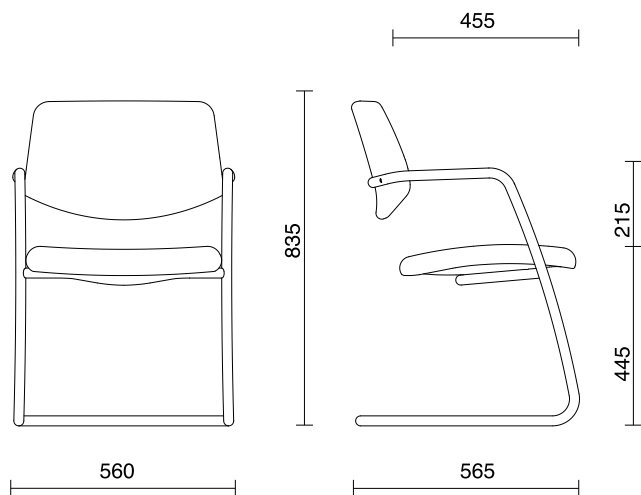
## TWO VERSIONS, SAME COMFORT

Uni collection is available in two versions: a version with medium-high back and a version with high back. In both models, the seat pad is in flexible cold injected polyurethane foam, crushproof, with "Comfort-Air" technology, ensuring utmost comfort.

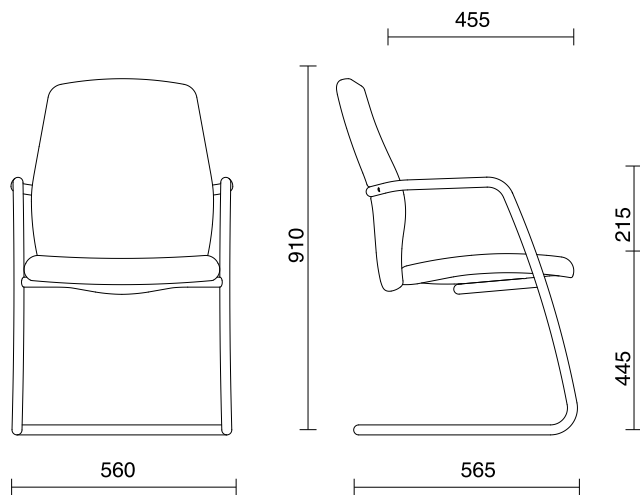
## ELEGANT ALSO IN THE DETAILS

Uni outer structure in steel tube is available chromed or painted in matt black. The armrests integrated to the seat match the structure and can be upholstered with a top in the same material of the armchair upholstery.

# MODELS AND DIMENSIONS



Visitor chair medium back



Visitor chair high back

## COLOURS, MATERIALS, FINISHING \*

### STRUCTURE FINISHING



Black MAT  
painted  
steel



Chromed  
steel

### COVER ARMS FINISHING



Black MAT  
painted  
steel

### SEAT UPHOLSTERIES



Fabric  
AB Xtreme Plus  
19 colours



Fabric  
RA  
15 colours



Fabric  
ME  
21 colours



Fabric  
IP  
19 colours



Fabric  
FE  
21 colours



Fabric  
FA  
12 colours



Fabric  
BN  
12 colours



Mesh  
RR  
11 colours



Ecological  
leather CI-CX  
26 colours



Ecological  
leather N  
13 colours



Leather  
S  
13 colours



Leather  
TS  
18 colours



Ecological  
leather N  
13 colours



Leather  
S  
13 colours

### COVER ARMS UPHOLSTERIES



Fabric  
FE  
21 colours



Ecological  
leather N  
13 colours



Leather  
S  
13 colours



Leather  
TS  
18 colours



Ecological  
leather N  
13 colours



Leather  
S  
13 colours



Polyamid  
colour black

\* Please refer to the Price list in force and to the General sale conditions for the colours and the combinations available for every single product. Colours shown are used for reference only and may look different in reality. Please contact SitLand to receive more information.

# UNI EN 1022 CERTIFICATION

Uni comply with the norm UNI EN 1022.

The tests performed are

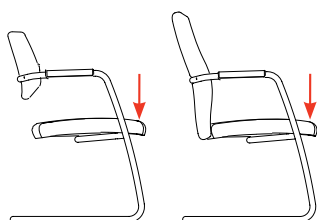


on Uni with high back and Uni with medium back

## TILT TOWARD THE FRONT

Seat load: 600 N

Horizontal force: 20 N

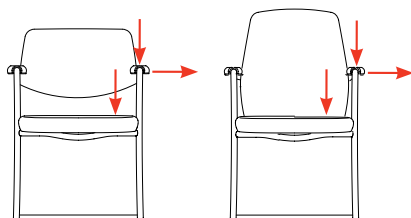


## RIBALTAMENTO LATERALE

Seat load: 250 N

Armrest load: 350 N

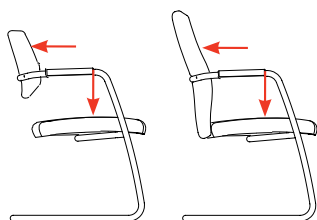
Horizontal force: 20 N



## RIBALTAMENTO ALL'INDIETRO

Seat load: 600N

Horizontal force: 164 N



# PCON.PLANNER



It will be possible to configurate our model Uni by using pCon.planner program for the design of 2D an 3D environment.

pCon.planner allows to design working solutions in a fast and intuitive way, creating "realistic" images with advanced features, with a considerable saving of time and resources.

It is easy to start using pCon.planner: after downloading the software in the proper page, it is possible to download pCon.catalog, the practical online catalogue of products ready to be set up according to anyone's need, and then include the products in the projects.

For more information on the use of pCon.planner and the access to the products of the SitLand's catalogues, please contact [com@sitland.com](mailto:com@sitland.com)

# MORE INFORMATION

Please look through our catalogue to see all the different versions available of Uni

[http://www.sitland.com/sitland\\_catalogues/restart\\_catalogue/restart\\_catalogue.html#p=104](http://www.sitland.com/sitland_catalogues/restart_catalogue/restart_catalogue.html#p=104)

or see our Uni page into our web site [www.sitland.com](http://www.sitland.com)

# WARRANTY



Uni has 5 years warranty.

For any further detail, please contact SitLand's customer service at [service@sitland.com](mailto:service@sitland.com)

# SitLand®

SitLand S.p.A.  
Via Cà Silvestre, 52  
36024 Nanto - Vicenza - Italy  
info@sitland.com - www.sitland.com  
Tel. +39 0444 637100



SitLand S.p.A. is certified  
UNI EN ISO 9001: 2008  
UNI EN ISO 14001: 2004

Follow us on:

